

Single Point Sample Conditioning Modules

Ensure correct sampling conditions and protect your Waltron instrumentation with a Single Point Sample Conditioning Module.

Waltron Series Single Point Sample Conditioning Modules help to lower temperature and pressure of single point samples providing versatility to your system. Modules can be used before continuous analysis instruments or used to obtain grab samples. The main benefits of using a sample conditioning module are to protect analyzers and personnel and to ensure analyzer accuracy.



FEATURES

Modules are pre-engineered to your specifications

Module delivered assembled with only cooling water, sample and drain connections required for start-up

List of options accommodates conditioning for any sample

Convenient stainless steel sink holds grab sample bottle and acts as drain

Handles wide range of samples, pressures and temperatures for peak performance

Unit is compact and lightweight

Variety of analyzers can be mounted directly onto unit with larger plate

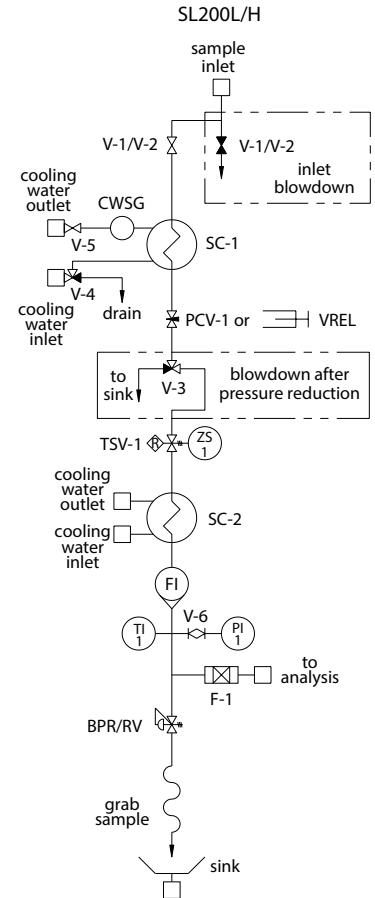
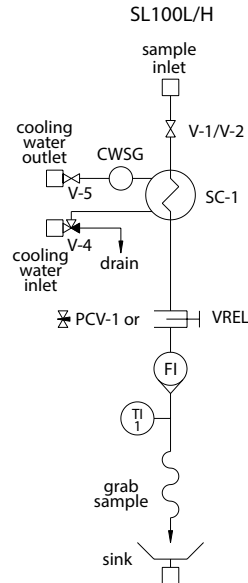
Low pressure models (SL100L & SL200L) are appropriate for samples up to 500 psig at 450°F (34 barg at 232°C)

High pressure models (SL100H & SL200H) handle samples up to 3030 psig at 1000°F (209 barg at 538°C)



SAMPLE CONDITIONING MODULE | GENERAL SPECIFICATIONS

Components	SL100L/H		SL200L/H	
	Std	Opt	Std	Opt
TLR-4225 Sample Cooler (SC-1)	●		●	
Temperature Indicator (TI-1)	●		●	
Sink	●		●	
Cooling Water Valves	●		●	
Sample Isolation Valve (V-1/V-2)	●		●	
Pressure Reducing Valve (PCV-1 or VREL)	●		●	
Back Pressure Regulator (BPR/RV)			●	
Analyzer Connection			●	
Total Flow Indicator (FI)		●	●	
FLR-6225 Sample Cooler (SC-1)		●		●
Cooling Water Sight Glass (CWSG)		●	●	
Secondary Sample Cooler (SC-2)		●	●	
Shell Side Relief Valve		●	●	
Thermal Shut-Off Valve (TSV-1)		●	●	
Floor/Wall Mounted Rack		●	●	
High Pressure Blowdown Valve		●	●	
Low Pressure Blowdown Valve (V-3)			●	
Sample Side Relief Valve			●	
Sample Filter (F-1)			●	
Pressure Indicator (PI-1)			●	



102-024-B.1