

NEW & IMPROVED PRECISION DIGITAL PRODUCTS FOR 2024



IMPROVED



Multivariable Controller

- **NEW** UL and C-UL Listed for General Safety and Div 2 Hazardous Locations
- **NEW** Auto-Tune PID Control
- **NEW** PID Control with Analog, Digital, Relay Out
- **NEW** HOA and 2, 3, 4-Way Switch Functions

NEW



Industrial Wireless Solutions

- Signal Wire Replacement
- Analog and Discrete (Digital) Inputs and Outputs
- Range: 1 Mile Line-of-Sight Outdoor, 500 Ft Indoor
- Loss of Signal (LoS) Digital Output
- Systems with Base Station and Field Units

NEW



Loop-Powered Meters

- The Most Complete Line of Loop-Powered Meters on the Market
- All the Same Features & Functionality

NEW



Stainless Steel Enclosures

- Available for Even More Products

NEW



1/8 DIN Sun Hood

- Shade for 1/8 DIN Digital Panel Meters

Display and Control Multiple 4-20 mA Process Signals Simultaneously



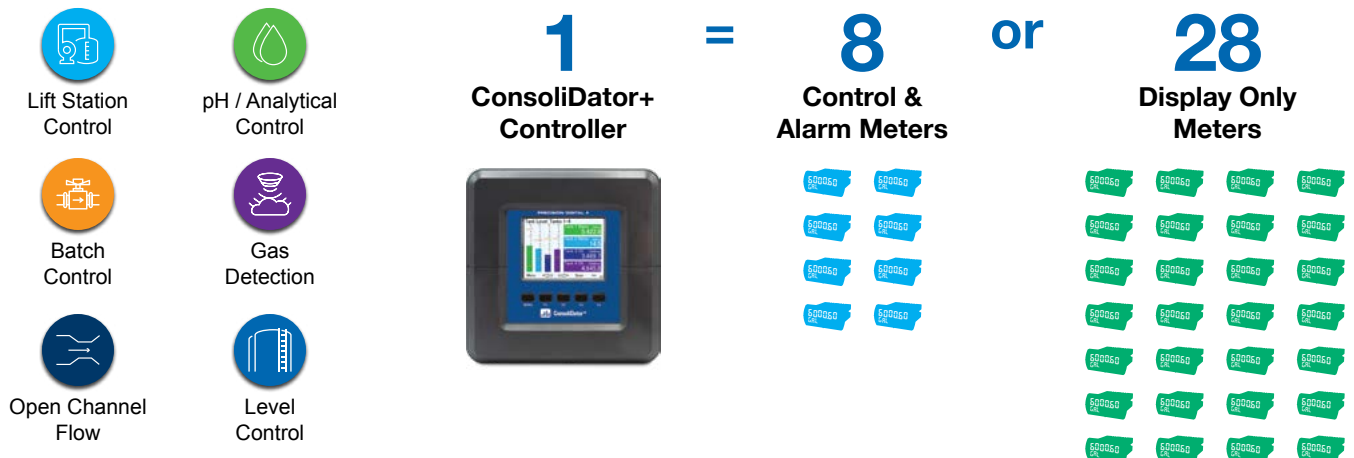
Multivariable Controller

PD9000 ConsoliDator+ Series

- **NEW** UL and C-UL Listed for General Safety and Div 2 Hazardous Locations
- **NEW** Auto-Tune PID Control for Multiple Control Loops
- **NEW** PID Control with Analog, Digital, or Relay Outputs
- **NEW** HOA and Other 2, 3, and 4-Way Switch Functions to Route Inputs & Outputs
- Up to (28) 4-20 mA Isolated Inputs
- Isolated 24 VDC Transmitter Supplies
- Up to (25) 10 Amp Form C Relays
- Up to (25) Isolated 4-20 mA Outputs
- NEMA 4X Panel Mount
- Multi-Pump Alternation Control
- Modbus Client, Server, Snooper Modes
- USB Data Logger
- Free Programming Software
- Operating Temperature -40 to 60°C

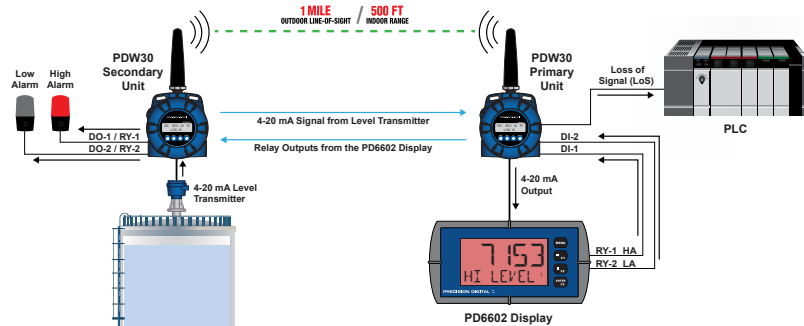


One Controller. Multiple Solutions.



Use Free ConsoliDator+ Software for Even Easier Setup

Industrial Wireless Solutions



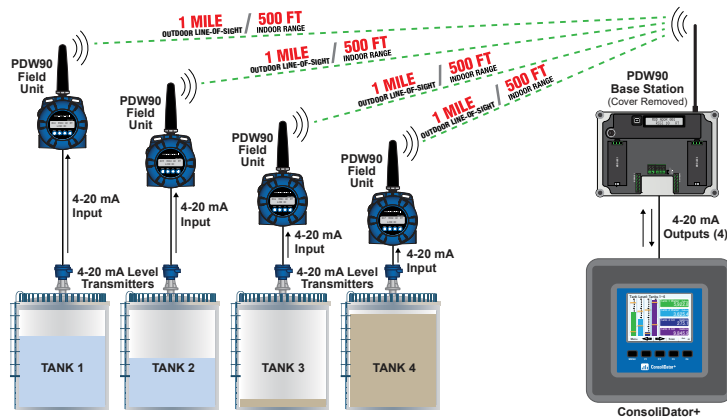
Point-To-Point Wireless Bridge

PDW30

- Virtually Plug and Play Right Out of Box
- Matched Pair of Wireless Field Units
- Analog and Discrete (Digital) Inputs and Outputs
- Range: 1 Mile Line-of-Sight Outdoor, 500 Feet Indoor
- Loss of Signal (LoS) Digital Output
- Field Installable Relay Module with Two Form A (SPST) 5A Relays (Available for Both Units)
- CapTouch Through-Glass Button Programming
- IP68, NEMA 4X Aluminum & Stainless Steel Enclosures

Application

The 4-20 mA level transmitter is connected to the analog input of the secondary unit, and the signal is transmitted to the primary unit. The primary unit is connected to a PD6602 display. A Loss of Signal (LoS) is sent to the PLC.



Point to Multi-Point Wireless System

PDW90

- System Consisting of Wireless Base Station and Field Units
- Signal Wire Replacement for up to 32 4-20 mA Signals
- Analog and Discrete (Digital) Inputs and Outputs
- Range: 1 Mile Line-of-Sight Outdoor, 500 Feet Indoor
- Base Stations for 2, 6, or 16 Field Installable I/O Modules & Modbus
- Loss of Signal (LoS) Digital Output
- Field Units Available in NEMA 4X Aluminum & Stainless Steel

Application

The level in each tank is measured by a 4-20 mA level transmitter that is connected to a PDW90 field unit. The four signals are then wirelessly transmitted to the base station.

Use Free PDW Manager Software for Easy Setup

Complete Line of Loop-Powered Meters



Watch Loop-Powered Meters Video

predig.com/loop-powered

With All the Same Features & Functionality



2 Open Collector Outputs



2 Solid-State Relays



4-20 mA Output



Two-Color Backlight



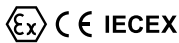
Dual-Line Displays



Pump Control



Batch Control



Large Display

PD4 Loop Leader+ Series

- NEMA 4X, IP65 Rated Wall-Mount Enclosures
- Large 5-Digit, 2.8" High Top Display
- Safe Area and I.S. Models
- ATEX and IECEx Certified



Explosion-Proof

PD6900-HA ProtEX+ Series

- **NEW** UL and C-UL Listed
- NEMA 4X, IP68 Rated Aluminum and Stainless Steel Enclosures
- CapTouch Through-Glass Buttons
- Explosion-Proof & I.S.
- CSA, ATEX, and IECEx Certified

1/8 DIN Panel Mount

PD6600 Loop Leader Series

- NEMA 4X, IP65 Rated Front 1/8 DIN Panel Mount Meters
- General Purpose and I.S. and N.I. Models
- UL, C-UL, and CE Approved

Low-Cost

PD685

- NEMA 4X, IP67 Rated Plastic Enclosure
- 1 V Drop (4 V Drop with Backlight)
- Operating Temperature of -40 to 75°C
- CSA, ATEX and IECEx Certified as Intrinsically Safe

\$199



MeterView XL Software Programs All These Products (Except PD685)

Complete Line of Line Powered Displays and Controllers

In All Shapes, Sizes, and Locations



Big, Bright Sunlight Readable Displays



Large Dual-Line 6-Digit Display



24 VDC Transmitter Power Supply



85-265 VAC or 12-24 VDC Power Options



4-20 mA, 0-10 V, TC, RTD, Strain Gauge, High Voltage, Modbus Inputs



Up To Four 3 A Form C Relays (SPDT)



Large Display PD2 Helios Series

- 1.8" Digits Readable from 100 Feet
- NEMA 4X, IP65 Rated Enclosure
- Operating Temperature -40 to 65°C
- UL and C-UL Approved



Explosion-Proof PD8 ProtEX-MAX Series

- NEMA 4X, IP68 Rated Aluminum and Stainless Steel Enclosures
- CapTouch Through-Glass Buttons
- Operating Temperature of -55 to 65°C
- CSA, ATEX and IECEx Certified Explosion-Proof Meter



1/8 DIN Sun Hood
PDA18DINSH



1/8 DIN Panel Mount PROVU Series

- NEMA 4X, IP65 Rated Front
- Programmable Function Keys
- UL, C-UL, and CE Approvals
- 1/8 DIN Size



MeterView Pro Software Programs All These Products

Visible and Audible Ways to Indicate Alarms

Including Light/Horns and Alarm Annunciators



Watch the Light/Horn Video

predig.com/light

❖ Light/Horn & Button for PD2 & PD4 Series MOD-PD2LH Modification

- Light/Horn and Button Mounted and Wired to Unit
- Powered by PD2. External Power Required for PD4
- Available in Various Colors



❖ Light/Horn PDA-LH Light/Horn Series

- Single Lights in Red, Green, Yellow, Blue, or White
- Units with One of Five User Selectable Lights
- Units with Red, Yellow, and Green Layered Lights
- Light/Horn Programmable for Variety of Reset Functions, Including:
 - Silence Horn at Any Time
 - Light Stays on Until Alarm Clears
 - Light Can Be Wired to Flash or Stay Steady On
- IP65 Rated
- 85 dB Horn
- Operates Temperature -40 to 40°C



Light/Horn & Button ❖ for Enclosures MOD-LH Modification

- Holes Drilled for Light/Horn and Button in Enclosure
- Powered by Meter or External Power
- Available in Various Colors

Alarm Annunciators ❖ PD154 & PD158 Vigilante II

- 8 Field Selectable Sequences
- All Common ISA Sequences
- Switch, Transistor, Logic Level Inputs
- 4 or 8-Point Monitoring
- Operating Temperature -40 to 65°C

Need Help Choosing the Right Enclosure? Go to predig.com/ESU

Process & Temperature Meters and PID Controllers

In 1/4, 1/8, 1/16 DIN Sizes



Process & Temperature Meters PD765 Trident & Trident X2

The PD765 Trident & Trident X2 digital panel meters are two of the most versatile digital panel meters on the market and will satisfy a wide variety of process and temperature applications.

- 1/8 DIN Digital Panel Meter with NEMA 4X, IP65 Front
- 4-20 mA, ± 10 V, TC & RTD Field Selectable Inputs
- 4-Digit Display, 0.56" (14.2 mm) or 1.20" (30.5 mm)
- Shallow Depth Case Extends Only 3.6" (91.4 mm) Behind Panel
- 24 VDC @ 200 mA Transmitter Power Supply Option
- 2 Relays + Isolated 4-20 mA Output Options
- Free MeterView Programming & Monitoring Software
- Sunlight Readable Display
- Operating Temperature -40 to 65°C
- UL & C-UL Listed. E160849; UL 508 Industrial Control Equipment
- Duplex Pump Controller with Alternation Capability
- External Contacts for Remote Button Operation (Trident X2 Only)



**1/8 DIN Sun Hood
PDA18DINSH**

Process & Temp PID Controllers PD500 SuperNova Series

A Superior line of auto-tuning PID and on/off process & temperature controllers with a striking reverse polarity LCD screen displaying up to three lines of process information.

- 1/16, 1/8 (V), and 1/4 DIN Sizes
- Thermocouple, RTD, DC Voltage, DV Current Inputs
- 4-20 mA, SSR drive, & Relay Outputs for Control, Alarm, & Retransmit
- High Accuracy Auto-Tuning PID
- High Durability, IP65 Front with Hard Plastic Pushbuttons
- Large 14-Segment PV Display up to 1.1" (29 mm)
- Easily Switch Between Auto & Manual Control Modes
- Remote Set Value 1-5 V or 4-20 mA Option
- USB Port Standard
- UL & C-UL Recognized Process Control Equipment, Electrical – Component
- Auto Stepping & Auto Ramping

SuperNova TCS Software

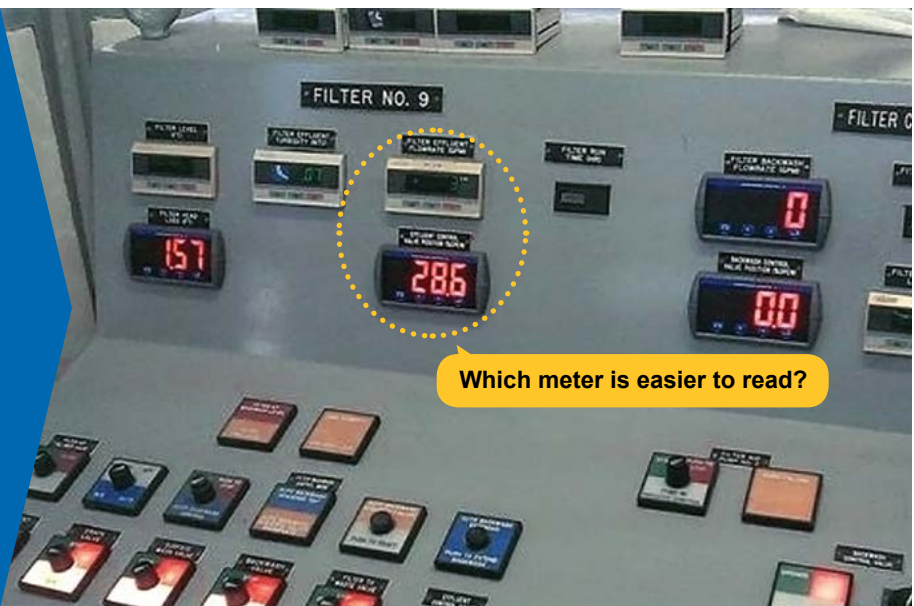
Used for monitoring, data logging, programming, and troubleshooting SuperNova controllers.



See PD138 Minimux II Series for Process & Temperature Scanning

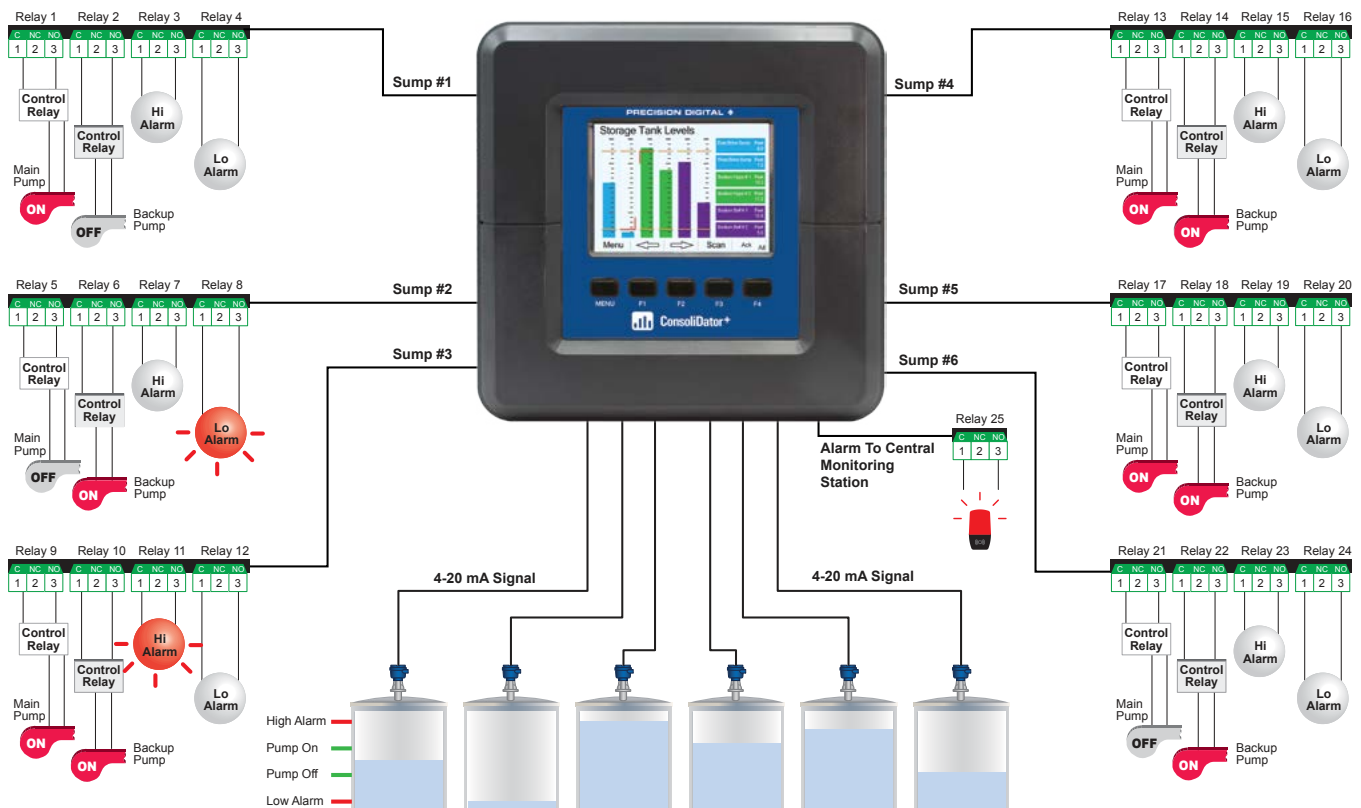
Upgrade Broken, Degraded, or Outdated Process Meters

- We've got plenty of meters and controllers in stock to help!



Control Level in Multiple Sumps with 1 ConsoliDator+

One ConsoliDator+ monitors and controls 6 sumps. All 4-20 mA inputs from the level transmitters are isolated and powered by the ConsoliDator+. Twenty four 10 A Form C relays control and alternate 2 pumps in each sump, providing high and low level alarms. One relay sends a signal to a control room when any sump goes into high alarm. Ethernet Modbus TCP/IP is available.



LMDNP2024_A 03/24