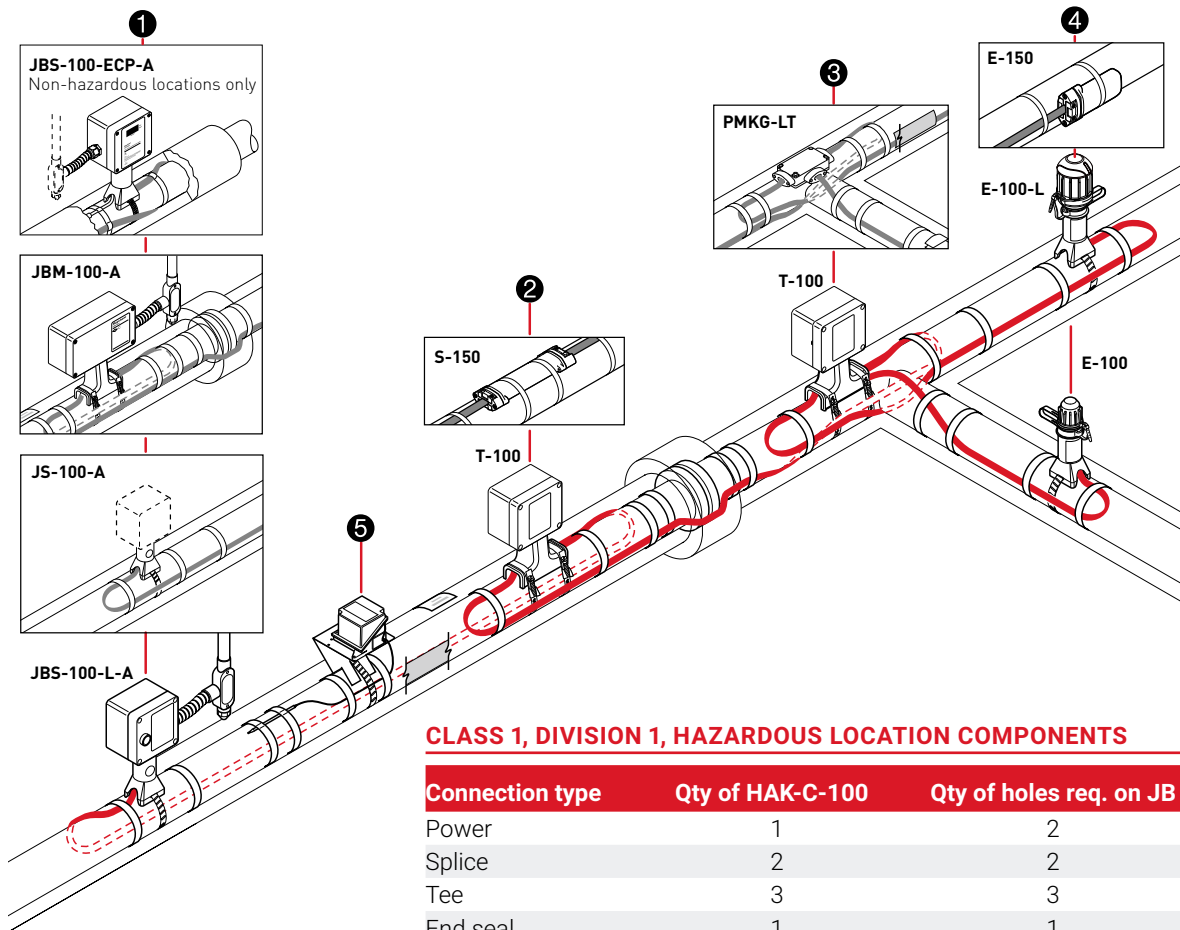


Quick Reference

COMPONENTS, ACCESSORIES, CONTROLS AND INDUSTRIAL PRODUCTS



CLASS 1, DIVISION 1, HAZARDOUS LOCATION COMPONENTS

Connection type	Qty of HAK-C-100	Qty of holes req. on JB
Power	1	2
Splice	2	2
Tee	3	3
End seal	1	1

All components above use [HAK-C-100](#) with [HAK-JB3-100](#) Kit, junction box, straps and bracket all sold separately

NON-HAZARDOUS AND HAZARDOUS CONNECTION KITS

Description	Catalog number	Quantity
1 Power connections		1 per circuit
Single heating cable	JBS-100-A	
Single heating cable with light	JBS-100-L-A	
Single heating cable with digital electronic controller	JBS-100-ECP-A (Non-hazardous locations only)	
Single heating cable (w/o JB)	JS-100-A	
Multiple heating cables	JBM-100-A	
Multiple heating cable with light	JBM-100-L-A	
2 Splice connections		1 per splice
Above insulation	T-100	
Below insulation	S-150	
3 Tee connections		1 per tee
Above insulation	T-100	
Below insulation	PMKG-LT (BTV and QTVR only)	
4 End seals		1 per power connection plus 1 per tee
Above insulation	E-100	
Above insulation with LED light	E-100-L-A (100-277 V)	
Below insulation	E-150	

Kit, junction box, straps and bracket all sold separately

NON-HAZARDOUS AND HAZARDOUS CONTROL AND MONITORING

Catalog number	Description (Sensing type)	Hazardous?
5 Thermostats - Electronic		
ETS-05-Lx-A	Pipe mounted, High temp (line)	Y
ETS-05-Hx-A	Wall mounted, High temp (line)	Y
JBS-ECP-A	Pipe mounted (line)	N
JBS-ECW-A	Wall mounted (line)	N
5 Thermostats - Mechanical		
AMC-F5	Fixed set-point (ambient)	N
AMC-1A	Adjustable (ambient)	N
AMC-1H	Adjustable (ambient)	Y
AMC-1B	Adjustable (ambient)	N
AMC-2B-2	2 pole version of above	N
E507S-LS	Adjustable (ambient)	Y
E507S-2LS-2	2 pole version of above	Y
Controllers		
NGC-40	Multipoint (local or remote)	Y
NGC-30 w/UIT	Multipoint (local or remote)	Y
Elexant 4010i	Single point (local)	Y
Elexant 4020i	Single or Multipoint (local)	Y
920	Dual point (local)	Y



SELF-REGULATING CABLE - BTV

- 150°F maximum maintain temperature
- 185°F maximum intermittent exposure temperature
- T6 - 185°F maximum sheath temperature
- Power at 50°F: 3, 5, 8, 10 W/ft (plastic/metal pipe)

SELF-REGULATING CABLE - QTVR

- 225°F maximum maintain temperature
- 225°F maximum intermittent exposure temperature
- T4 - 275°F maximum sheath temperature
- Power at 50°F: 10, 15, 20 W/ft (plastic/metal pipe)

SELF-REGULATING CABLE - XTV

- 250°F maximum maintain temperature
- 482°F maximum intermittent exposure temperature
- Sheath temp and T-Rating vary
- Power at 50°F: 5, 10, 15, 20 W/ft (metal pipe only)

SELF-REGULATING CABLE - KTV

- 300°F maximum maintain temperature
- 482°F maximum intermittent exposure temperature
- T2C - 446°F maximum sheath temperature
- Power at 50°F: 5, 8, 15, 20 W/ft (metal pipe only)

POWER LIMITING CABLE - VPL

- For applications exceeding the temperature range of self-regulating cables

North America

Tel +1.800.545.6258
 Fax +1.800.527.5703
info@nvent.com

Europe, Middle East, Africa

Tel +32.16.213.511
 Fax +32.16.213.604
info@nvent.com

Asia Pacific

Tel +86.21.2412.1688
 Fax +86.21.5426.3167
cn.info@nvent.com

Latin America

Tel +1.713.868.4800
 Fax +1.713.868.2333
info@nvent.com



nVent.com/RAYCHEM

Our powerful portfolio of brands:

CADDY ERICO HOFFMAN RAYCHEM SCHROFF TRACER